

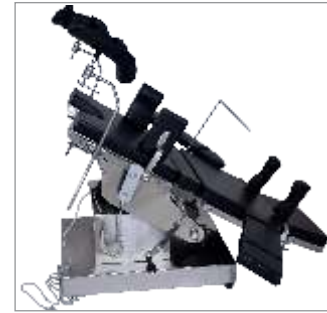
OPERATION TABLE FOR GYNAEC, LAPAROSCOPY & IVF

Semi Motorize Operation Table with Extra Head Low



Salient Features :

- Specially designed for gynecology, Laparoscopy and IVF with Extra Head low
- Extra low height for surgeon's convenience
- Vertical movement, side tilt & trendelburg / reverse are electrically operated
- Chair position is manually operated by crank for as per requirement
- Split leg Section convenient for Gynaecology



Extra Head Low

Technical Parameters

L : 1830mm	W : 510mm
H : 750 - 1050mm / 660 - 910mm	
Lateral Tilt : $\pm 20^\circ$	
Trend. / R Trend. : $\pm 25^\circ$	
Back Section: $+85^\circ / -40^\circ$	
Head & Leg : $\pm 90^\circ$	

Hydraulic Operation Table : Super Deluxe



Salient Features :

- Fully manual with Hydraulic Pump and Smooth uniform gear mechanism
- Best suited Economy table for all non uro surgery
- Elevated by single lever double action horizontal hydraulic pump
- Smooth individual side controls for :
 - ✓ Trendelburg /Reverse trendelburg
 - ✓ Flex/ reflex
 - ✓ Chair position
 - ✓ Side Tilting

ACCUMAX SURGICALS

Manufacturer & Supplier of : HOSPITAL EQUIPMENTS & FURNITURE



AN ISO 9001:2008 & ISO 13485:2012 Certified Company

Admin & Works :

55, Amar Estate, Opp. Forge & Blower Comp,
Nr. Memco, Naroda Road, Ahmedabad-25. INDIA.
Ph : +91-79-22203485 M. : 9979858530

Works & Display :

C/127, Vishala Industrial Estate(E),
Outside Kathawada G.I.D.C., S.P. Ring Road,
Odhav, Ahmedabad-342415. Ph : +91-79-29092177



ACCUMAX

E-mail : accumaxsurgicals@hotmail.com

Website : www.accumaxsurgicals.com

Products and specifications are Subject to change without notice